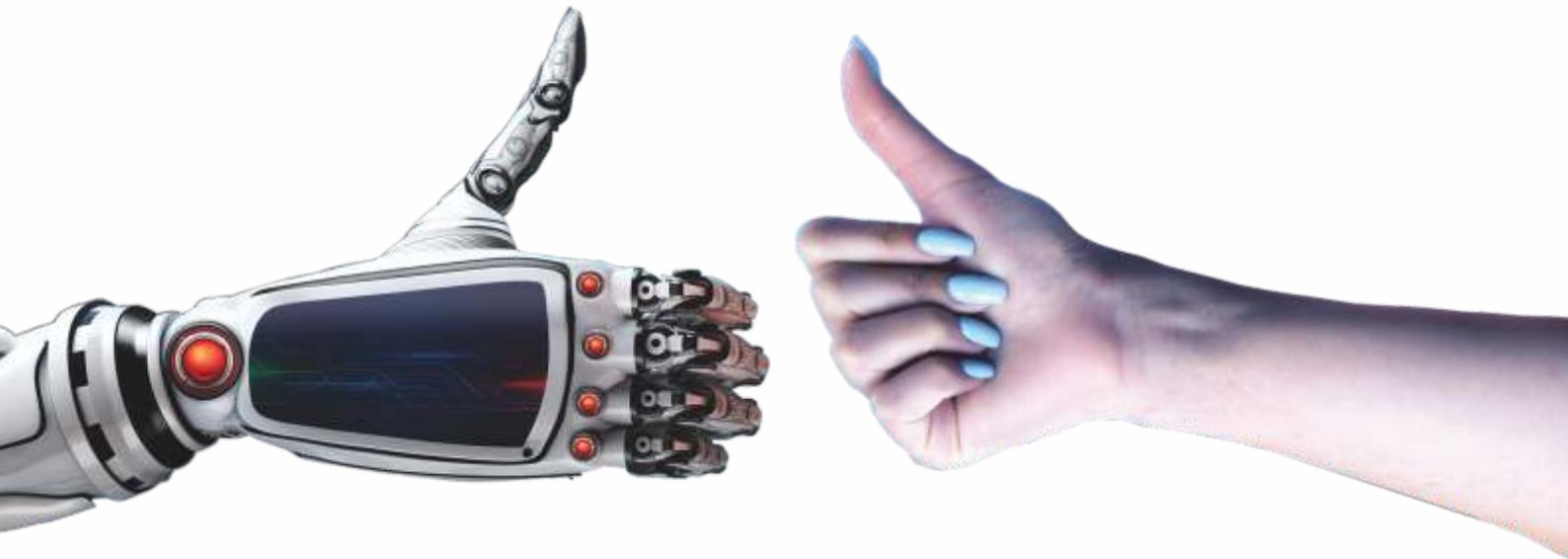


## Green Hygiene Touch-Free Solution For Improving Hygiene In Your Bathroom!



Bring Innovation & Style To Your Washroom With Green Hygiene Eco Friendly Touch-less Products!

[www.greenhygiene.in](http://www.greenhygiene.in)

MADE IN INDIA

## ABOUT US

### AN ECOLOGICAL CHOICE TO MAKE LIFE EASIER - GREEN HYGIENE

Hygiene has become a critical concern in bathroom design: now and looking to the future. Touch-free bathroom solutions, including products such as automatic sensor taps, Urinal sensor, Hand Dryers and Soap/Sanitizer Dispenser are now crucial in terms of avoiding contact - not only in their traditional public setting, but for homes too. Green Hygiene has been a leading specialized supplier of the best modern luxury high-quality bathroom fixtures at the guaranteed best price. Our extensive expertise means we truly understand bathrooms and we understand what you need to achieve your dream bathroom. So we help you get it. Rest assured the quality of our bathroom



### Why Choose Green Hygiene

For every customer, we offer numerous services that help in making the right decision for their unique **WASHROOM**. We don't believe in just selling the products. Customer service is the cornerstone of our business.

#### PRE-SALE SERVICES

Technical and product suggestions based on individual customer needs. Pre-installation guidelines from product company's technician & technical drawings.

#### AFTER-SALE SERVICE

In house customer care department to aid customer issue resolution. Coordination between company technicians and end customer for smooth installation & after sales customer service.

#### COST-EFFECTIVE

We cater to our customers from various sectors and ensure our products are price competitive. Our goal is always to provide good quality material within your budget.

#### SENSOR TECHNOLOGY

One technology that has had the biggest impact is infra red sensor.

#### VERSATILE AND SUITABILITY

We have Sensor Faucet/Urinal Sensor which are versatile, can be powered by batteries or electric or both.

## CONTENTS

Page No.

2-7



Automatic Urinal  
Flusher

Page No.

8-11



Automatic Sensor  
Faucets

Page No.

12



Auto Sanitizer  
Dispenser

Page No.

13



Manual Sanitizer  
Dispenser

Page No.

14-16



Automatic Hand  
Dryer

Page No.

17



Automatic Air  
Freshness Dispenser

Page No.

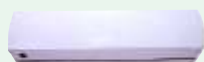
17-19



Tissue Paper/Toilet  
Paper Dispenser

Page No.

20



Automatic  
Air Curtains

Page No.

20



COMMANDO  
FLY CATCHER

Page No.

21



Fly Cather/  
Insert Killer Machine

# ECONOMICAL RECESSED URINAL SENSORS

Automatic Sensor Flushers For Urinal (Battery/Electrical/AC-DC)

## GH-U-612 BRUSHED S.S.

- Battery operated concealed urinal flusher (6 V DC through 4 X AA size alkaline batteries)
  - Inbuilt brass flow control to adjust the flow of water
  - Sensing range adjustable (Upto 500mm)
- USP : Reliable & robust solenoid valve (In straight type arrangement) with flow control Operable in minimal level of water pressure



Plate Dimension  
W125 x H125 mm  
Concealed Box  
W120 x H120 x D70 mm



## GH-U-502 BRUSHED S.S.

- Battery operated concealed urinal flusher (6 V DC through 4 X AA size alkaline batteries)
  - Inbuilt brass flow control to adjust the flow of water
  - Sensing range adjustable (Upto 500mm)
  - Working water pressure (0.02 MPa – 0.8 Mpa)
  - Flush Time 8 Seconds Postflush
  - Inbuilt solenoid valve, Easily serviceable
  - Touch free infrared sensor
  - 15 mm inlet / outlet orifice left to bottom
- USP : Reliable & robust solenoid valve (In L type arrangement) with flow control Operable in minimal level of water pressure



Plate Dimension  
W120 x H120 mm



## HEAVY QUALITY POLYCARBONATE ABS CONCEALED BOX

- It has direct acting solenoid valve that is robust and can handle more impurities as compared to pulse valve used in AC/DC models.

### EASY TO INSTALL

- (No breaking to walls or tiles for replacing spare parts)

### SAFETY FEATURE

- (No sharp edges to prevent injuries)

### DIMENSION

- Plate Dimension W120xH120 mm/Concealed Box W120xH120xD70 mm



## CONCEALED BOX 5B

CAN BE USED WITH ANY SENSOR PLATE



Input/ Output at 90°

120 X 120 mm



REPLACE WITH ABOVE BOX IN NO EXTRA COST

## CONCEALED BOX 9B

CAN BE USED WITH ANY SENSOR PLATE



All Brass Valve Inside

120 X 120 mm



REPLACE WITH ABOVE BOX IN EXTRA COST Rs.2500/-

# PREMIUM RECESSED URINAL SENSORS

Automatic Sensor Flushers For Urinal (Battery/Electrical/AC-DC)

## GH-U-642 MIRROR CHROME

- Battery operated concealed urinal flusher (6 V DC through 4 X AA size alkaline batteries)
- Inbuilt brass flow control to adjust the flow of water
- Sensing range adjustable (Upto 500mm)
- Working water pressure (0.02 Mpa-0.8 Mpa)
- Flush time 8 Seconds Postflush
- Inbuilt Solenoid valve, Easily serviceable
- Touchfree infrared sensor

15 mm inlet/outlet orific top to bottom

USP : Elegant 'Mirror Finish' Sensor plate with Reliable Solenoid Valve (In Straight type arrangement) with flow control (Operable in minimal level of water pressure)



Plate Dimension  
W125 x H125 mm  
Concealed Box  
W120 x H120 x D70 mm



## GH-U-642S SATIN SILVER

- Battery operated concealed urinal flusher (6 V DC through 4 X AA size alkaline batteries)
- Inbuilt brass flow control to adjust the flow of water
- Sensing range adjustable (Upto 500mm)
- Working water pressure (0.02 MPa – 0.8 MPa)
- Flush Time 8 Seconds Postflush
- Inbuilt solenoid valve, Easily serviceable
- Touchfree infrared sensor
- 15 mm inlet / outlet orifice top to bottom

USP : Urbane look 'Satin Finish' Sensor Plate with Reliable Solenoid Valve (In L type arrangement) with flow control (Operable in minimal level of water pressure)



Plate Dimension  
W125 x H125 mm  
Concealed Box  
W120 x H120 x D70 mm



## GH-U-205F BRUSHED S.S.

- Electrical operated concealed urinal flusher (220 V AC) with flow control
- Sensing range adjustable (Upto 500mm)
- Flushing time adjustable (upto 30 Sec.)
- Working water pressure (0.02 MPa – 0.8 MPa)
- Touchfree infrared sensor
- 15 mm inlet / outlet orifice top to bottom

USP : It has a direct acting solenoid valve that is more robust and can handle more impurities as compared to pulse valve used in AC/DC models



Plate Dimension  
W120 x H120 mm  
Concealed Box  
W120 x H120 x D70 mm



## GH-U-205 BRUSHED S.S.

- Electrical operated concealed urinal flusher (220 V AC)
- Sensing range adjustable (Upto 500mm)
- Flushing time adjustable (upto 30 Sec.)
- Working water pressure (0.02 MPa – 0.8 MPa)
- Touch free infrared sensor
- 15 mm inlet / outlet orifice top to bottom

USP : It has a direct acting solenoid valve that is more robust and can handle more impurities as compared to pulse valve used in AC/DC models



Plate Dimension  
W120 x H120 mm  
Concealed Box  
W120 x H120 x D70 mm



## ECONOMICAL REPLACEMENT MODELS

Automatic Sensor Flushers For Urinal (Battery/Electrical/AC-DC)

### GH-U-242L/242S SATIN FINISH

- Easily replaceable battery operated urinal sensor with faulty imported models (6 V DC through 4 X AA size alkaline batteries)
- Sensing range adjustable (Upto 500mm)
- Working water pressure (0.02 MPa – 0.8 MPa)
- Inbuilt solenoid valve, Easily serviceable
- Touchfree infrared sensor
- 15 mm inlet / outlet orifice left to bottom

USP : Flexible model having loose valve for installation in false ceiling or inside concealed box as an Indian replacement with fitting matched to more than 95% faulty imported sensors installed in India.

1  
YEARS  
WARRANTY \*

Plate Dimension  
W125 x H125 mm



Note : Can be select one valve

### GH-U-212L/212S BRUSHED S.S.

- Easily replaceable battery operated urinal sensor with faulty imported models (6 V DC through 4 X AA size alkaline batteries)
- Sensing range adjustable (Uptp 500mm)
- Working water pressure (0.02 MPa – 0.8 MPa)
- Inbuilt solenoid valve, Easily serviceable
- Touchfree infrared sensor
- 15 mm inlet / outlet orifice left to bottom

USP : Flexible model having loose valve for installation in false ceiling or inside concealed box as an Indian replacement with fitting matched to more than 95% faulty imported sensors installed in India.

1  
YEARS  
WARRANTY \*

Plate Dimension  
W128 x H128 mm



Note : Can be select one valve

### GH-U-522J BRUSHED S.S.

- Integrated sensor for ceramic urinal pots (6 V DC through 4 X AA size alkaline batteries)
- Easily replaceable in any brand urinal
- Working water pressure (0.02 MPa – 0.8 Mpa)
- Sensing range adjustable (Upto 500mm)
- 15 mm inlet / outlet orifice top to bottom

USP : Best suitable model to replace imported inbuilt sensors with exact fitting matched

1  
YEARS  
WARRANTY \*

Plate Dimension  
W80 x H50 mm



### GH-U-842J BRUSHED S.S.

- Easily replaceable model with Stainless Steel Plate Solenoid valve & Battery Box
- Plate Dimension: W175xH175 mm
- Sensing range adjustable (Upto 500mm)
- Touchfree infrared sensor

USP : Exact fit model for imported concealed model

1  
YEARS  
WARRANTY \*

Plate Dimension  
W175 x H175 mm



### GH-U-842R BRUSHED S.S.

- Easily replaceable model with Stainless Steel Plate Solenoid valve & Battery Box
- Sensing range adjustable (Upto 500mm)
- Plate Dimension: W175xH175 mm
- Touchfree infrared sensor

USP : Exact fit model for imported concealed model

1  
YEARS  
WARRANTY \*

Plate Dimension  
W175 x H175 mm



# AUTOMATIC FLUSHING SENSORS FOR TOILETS

Automatic Sensor Flushers For WC (Battery/Electrical/AC-DC)

## **GH-W-442S SATIN SILVER**

- Battery operated concealed automatic toilet flusher with push button flush
- Sensing range & Flush time both adjustable
- Input solenoid valve, Easily serviceable
- 40 mm inlet / outlet orifice top to bottom
- Deodorize features of 24 hours voluntarily flush if no use

USP : No need of Concealed or Exposed Flush Tank, With Bypass Push Button Functionality on Satin Finish Plate. Complete Brass Assembly with inbuilt Filter (Strainer) & flow control in Concealed Wall Box

**1**  
YEARS  
WARRANTY\*

Plate Dimension  
W125 x H125 mm



## **GH-W-422 BRUSHED S.S**

- Battery operated concealed automatic toilet flusher with push button flush
- Sensing range & Flush time both adjustable
- Input solenoid valve, Easily serviceable
- 40 mm inlet / outlet orifice top to bottom
- Deodorize features of 24 hours voluntarily flush if no use

USP : No need of Concealed or Exposed Flush Tank, With Bypass Push Button Functionality on Satin Finish Plate. Complete Brass Assembly with inbuilt Filter (Strainer) & flow control in Concealed Wall Box

**1**  
YEARS  
WARRANTY\*

Plate Dimension  
W128 x H128 mm



## **GH-W-105 BRUSHED S.S.**

- Electrically operated concealed automatic toilet flusher
- Sensing range & Flush time both adjustable (200-700mm)
- 30 mm inlet / outlet orifice through solenoid valve
- An ideal install & forget solution for sites with power backup as it consumes negligible power & runs excellently on generators & invertors With additional manual by-pass lever & pressure adjuster facility

USP : A pure Electrical Model having Robust Electrical Solenoid Valve that can handle more impurities than AC/DC adaptor operated battery systems valve.

**1**  
YEARS  
WARRANTY\*

Plate Dimension  
W125 x H125 mm



## **HYGIENIA BRAVO**

### **PREMIUM EXPOSED TYPE URINAL SENSOR**

- Wall mounted urinal pot with Indian sensor
- Stylish ceramic urinal pot in white color with embedded sensor for automatic flushing
- Deodorize feature of 24 hours voluntarily flush if no use
- False flush protection with live indicator to represent sensing and flush ready modes
- Dimension: L290xW360xH690 mm
- Sense to respect feature to avoid splashing on second person in queue

**10**  
YEARS  
WARRANTY\*



# PREMIUM INTEGRATED URINAL SENSOR WITH PORT

Automatic Sensor Flushers For WC (Battery/Electrical/AC-DC)

## GH-U-522M POLISHED CHROME BRASS

- Integrated sensor for ceramic urinal pots
- Easily replaceable in any brand urinal
- Sensing range adjustable (Upto 500mm)
- Touchfree infrared sensor, Easily serviceable
- 15mm inlet/ outlet orifice
- Flush time - 7-8 Seconds Postflush

1 YEARS WARRANTY\*

Plate Dimension  
W80 x H50 mm

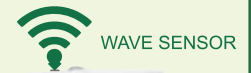


## GH-W-142

### BATTERY OPERATED AUTOMATIC TOILET CISTERN

- Sleek and stylish ABS body tank with automatic toilet flushing sensor & motorized piston
- Additional push to flush feature included for manual flushing
- Ready to fit water saving cistern that's very easy to install and can replace any manual cistern within minutes

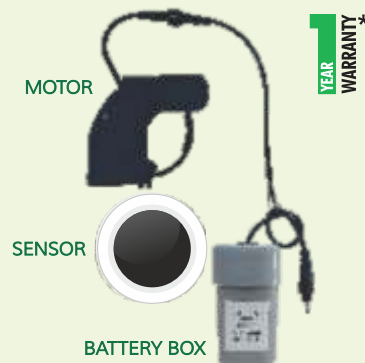
1 YEARS WARRANTY\*



### AUTOMATIC FLUSHER KITS FOR WC & CENTER PUSH CISTERNS

#### GH-W-724

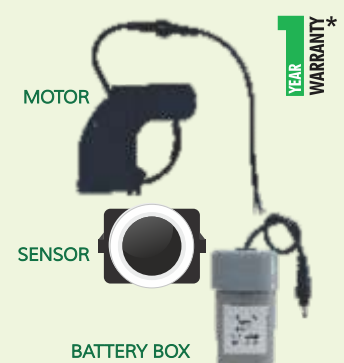
- Say 'Alvida' to Germs and Bacteria
- Touch-Free Sensor for One Piece Closet
- Crafted with thoughtful features for your WC
- Alternate Option of Manual Operation



1 YEAR WARRANTY\*

#### GH-W-725

- Say 'Alvida' to Germs and Bacteria
- Touch-Free Sensor for One Piece Closet
- Crafted with thoughtful features for your WC
- Can be used in selected center push plastic cisterns



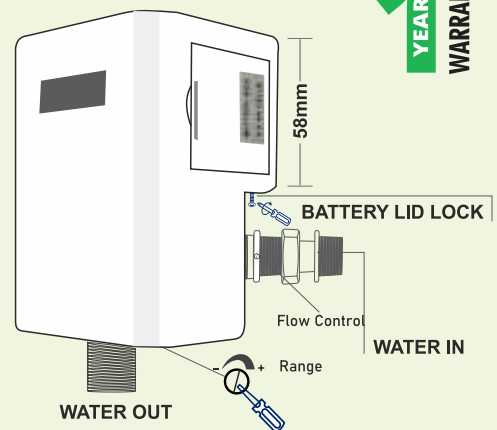
1 YEAR WARRANTY\*

### HYGIENIAFLUSH Ready To Fit Model To Automate Existing Manual Flush With No Civil Job Required

- Battery operated exposed urinal flusher (6 v dchrough 4 x AA size alkaline batteries)
- Dimension: W76 x H101 x D44 mm
- Sensing range adjustable (upto 500mm)
- Working water pressure (0.02 Mpa – 0.8 Mpa)
- Inbuilt solenoid valve
- Touchfree infrared sensor, easily serviceable
- 15 mm inlet / outlet orifice
- Stylish and sleek model in white color abs body
- An easy to install retrofit kit to convert your manual
- Flush valve into automatic flusher without any civil job required
- Can replace battery with no need to uninstall from inlet
- Comes with brass flow control to adjust the flow of water



101mm Height



1 YEARS WARRANTY\*

Rotate adjustment pot at the bottom Clockwise to increase range and Anti-Clockwise to decrease range

# PREMIUM EXPOSED TYPE URINAL SENSORS

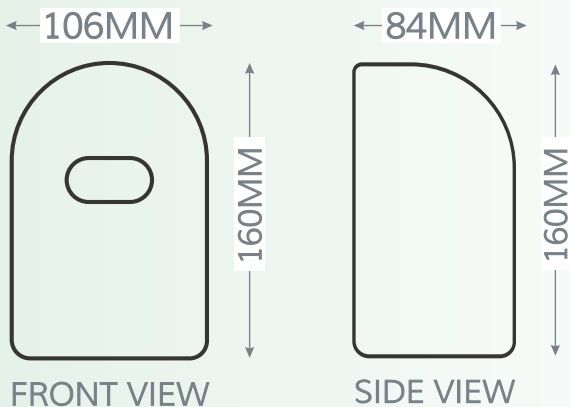
Automatic Sensor Flushers For Urinal (Battery/Electrical/AC-DC)

## **GH-U-632/635/637 WALL MOUNTED EXPOSED TYPE URINAL SENSOR**

- Sensing range adjustable (Upto 500mm)
  - Dimension: 106x84x160mm
  - LED indication of sensing and flushing
  - Working water pressure (0.02 MPa – 0.8 MPa)
  - Touchfree infrared sensor
  - Post-Flush time 8 Seconds
- USP : White ABS body having flexibility to install solenoid valve inside or outside body as per site conditions

**1 YEARS WARRANTY\***

Dimension  
W106 x H160 mm

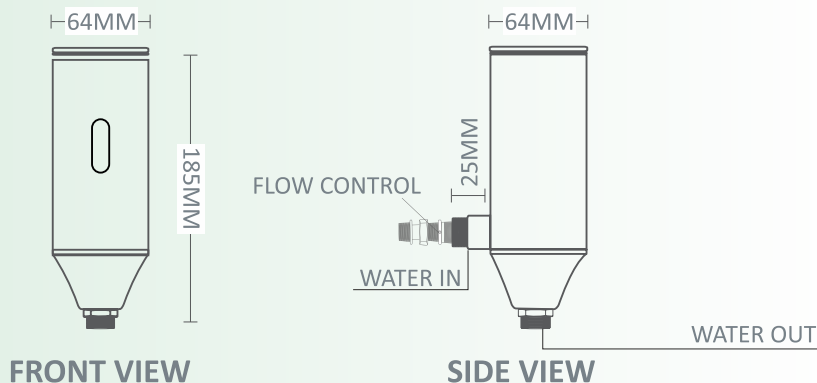


## **GH-U-732 POLISHED CHROMO BRASS**

- Battery operated exposed urinal flusher (6 V DC through 4 X AA size alkaline batteries)
  - Sensing range adjustable (Upto 500mm)
  - LED indication of sensing
  - Working water pressure (0.02 MPa – 0.8 MPa)
  - Post-Flush time 8 Seconds
- USP : Stylish and sleek model, An easy to install retrofit kit to convert your manual flush valve into automatic flusher without any civil job required

**1 YEARS WARRANTY\***

Dimension  
W64 x H185 mm





# ECONOMICAL BASIN/WALL MOUNTED SENSOR FAUCETS

Automatic Sensor Faucets For Basin/Wall (Battery/Electrical/AC-DC)

## **GH-F102/105/107**

- Basin mounted sensor faucet (Chromeplated brass metal body)
- Power- DC, AC, AC/DC | 6V DC | 220V AC/50Hz | 6V DC/220V AC
- Operation- Automatic Infra-Red Sensor
- Sensing range adjustable (Upto 150mm)
- Working water pressure (0.02 MPa – 0.8 MPa)
- Safety shut off 1 Minute
- 15 mm through control box with inbuilt solenoid valve

USP : Stylish & sleek design with linear sensor, Specially crafted for small to medium size basin

Dimension  
Height: 100 mm  
Control Unit  
W120xH120xD70

**1**  
YEARS  
WARRANTY \*



## **GH-F122/125/127**

- Basin mounted sensor faucet (Chromeplated brass metal body)
- Power- DC, AC, AC/DC | 6V DC | 220V AC/50Hz | 6V DC/220V AC
- Operation- Automatic Infra-Red Sensor
- Sensing range adjustable (Upto 150mm)
- Working water pressure (0.02 MPa – 0.8 MPa)
- Safety shut off 1 Minute
- 15 mm through control box with inbuilt solenoid valve

USP : Rotatory swan neck design with linear sensor, Specially made for medium size basin

Dimension  
Height: 250 mm  
Control Unit  
W120xH120xD70

**1**  
YEARS  
WARRANTY \*



## **GH-F292/295/297 MOUTH SENSOR**

- Basin mounted sensor faucet (Chromeplated brass metal body)
- Power- DC, AC, AC/DC | 6V DC | 220V AC/50Hz | 6V DC/220V AC
- Operation- Automatic Infra-Red Sensor
- Sensing range adjustable (Upto 120mm)
- Working water pressure (0.02 MPa – 0.8 MPa)
- Safety shut off 1 Minute
- 15 mm through control box with inbuilt solenoid valve

USP : Revolutionary mouth sensor swan neck design, All-purpose use for small-medium size basin/ counter

Dimension  
Height: 240 mm  
Control Unit  
W120xH120xD70

**1**  
YEARS  
WARRANTY \*



## **GH-F112/115/117**

- Wall mounted sensor faucet (Chromeplated brass metal body)
- Power- DC, AC, AC/DC | 6V DC | 220V AC/50Hz | 6V DC/220V AC
- Operation- Automatic Infra-Red Sensor
- Sensing range adjustable (Upto 150mm)
- Working water pressure (0.02 MPa – 0.8 MPa)
- Safety shut off 1 Minute
- 15 mm through control box with inbuilt solenoid valve

USP : Rotatory Swan Neck Design Front Sensor

Dimension  
Height: 230 mm  
Control Unit  
W120xH120xD70

**1**  
YEARS  
WARRANTY \*



## **GH-F192/195/197 MOUTH SENSOR**

- Wall mounted sensor faucet (Chromeplated brass metal body)
- Power- DC, AC, AC/DC | 6V DC | 220V AC/50Hz | 6V DC/220V AC
- Operation- Automatic Infra-Red Sensor
- Sensing range adjustable (Upto 120mm)
- Working water pressure (0.02 MPa – 0.8 MPa)
- Safety shut off 1 Minute
- 15 mm through control box with inbuilt solenoid valve

USP : Revolutionary Mouth Sensor Sleek Sensor Placed at Faucet Opening

Dimension  
Height: 175 mm  
Control Unit  
W120xH120xD70

**1**  
YEARS  
WARRANTY \*



## ECONOMICAL BASIN/WALL MOUNTED SENSOR FAUCETS

Automatic Sensor Faucets (Battery/Electrical/AC-DC)

### GREENOWASH EXPOSED SENSOR FAUCET

- Sensing range adjustable (Upto 170mm)
  - Touchfree front infrared sensor
- USP : An easy to install portable hand wash sensor that is sleek and can be installed in any washbasin with wall mounted water pipe above it.

1 YEARS WARRANTY\*

Dimension  
Height: 140 mm



### GREENOCOOL SPECIALLY DESIGNED FOR WATER COOLER WITH STORAGE TANKS

- Sensing range adjustable (Upto 400mm)
  - Touchfree bottom infrared sensor
  - Works on ZERO water pressure only
- USP : GREENOCOOL is an extremely essential made in India product to stop virus spreads due to touching of manual faucets.

1 YEARS WARRANTY\*

Dimension  
Height: 140 mm



### GH-F144

- Wall mounted sensor faucet (Polycarbonate ABS with Brass Metal Rotatory Spout)
  - Power- DC 6V DC through 4 X AA size Alkaline batteries
  - Operation- Touchfree infrared sensor
  - Sensing range adjustable (Upto 150mm)
  - Working water pressure (0.02 MPa – 0.8 MPa)
  - Safety shut off 1 Minute
- USP : All in one faucet with no separate control unit required

1 YEARS WARRANTY\*



## PREMIUM WALL MOUNTED SENSOR FAUCETS

Wall Mounted Automatic Sensor Faucets (Battery/Electrical/AC-DC)

### GH-F402/407 RECESSED

- Wall mounted sensor faucet with concealed box (Chromeplated brass metal body)
  - Power- DC, AC, AC/DC | 6V DC | 220V AC/50Hz | 6V DC/220V AC
  - Operation- Automatic Infra-Red Sensor
  - Sensing range adjustable (Upto 120mm)
  - Working water pressure (0.02 MPa – 0.8 MPa)
  - Safety shut off 1 Minute
  - 15 mm through control box with inbuilt solenoid valve
- USP : Revolutionary design having no sensor cut in front plate as it has mouth sensor faucet

1 YEARS WARRANTY\*

Dimension  
Height: 175 mm  
Plate Size  
W125xH125



### GH-F072/075/077

- Wall mounted sensor faucet (Chromeplated brass metal body)
  - Power- DC, AC, AC/DC | 6V DC | 220V AC/50Hz | 6V DC/220V AC
  - Operation- Automatic Infra-Red Sensor
  - Sensing range adjustable (Upto 150mm)
  - Working water pressure (0.02 MPa – 0.8 MPa)
  - Safety shut off 1 Minute
  - 15 mm through control box with inbuilt solenoid valve
- USP : Hidden Bottom Sensor for No Tampering

1 YEARS WARRANTY\*

Dimension  
Height: 180 mm  
Plate Size  
W120xH120xD70



# PREMIUM BASIN/WALL MOUNTED SENSOR FAUCETS

Automatic Sensor Faucets (Battery/Electrical/AC-DC)

## **GH-F062/065/067**

- Basin mounted sensor faucet (Chromeplated brass metal body)
  - Power- DC, AC, AC/DC | (6V DC | 220V AC/50Hz) | 6V DC/220V AC)
  - Operation- Automatic Infra-Red Sensor
  - Sensing range adjustable (Uptp 150mm)
  - Working water pressure (0.02 MPa – 0.8 MPa)
  - Safety shut off 1 Minute
  - 15 mm through control box with inbuilt solenoid valve
- USP : Ergonomically designed in swan neck with linear Sensor, best fit for all sizes of basin

Dimension  
Height: 175 mm  
Control Unit  
W120xH120xD70

**1**  
YEARS  
WARRANTY \*



## **GH-U-F152/155/157**

- Basin mounted sensor faucet (Chromeplated brass metal body)
  - Power- DC, AC, AC/DC | (6V DC | 220V AC/50Hz) | 6V DC/220V AC)
  - Operation- Automatic Infra-Red Sensor
  - Sensing range adjustable (Upto 150mm)
  - Working water pressure (0.02 MPa – 0.8 MPa)
  - Safety shut off 1 Minute
  - 15 mm through control box with inbuilt solenoid valve
- USP : Elegant look with smart linear sensor, best fit for medium to big size basin

Dimension  
Height: 170 mm  
Control Unit  
W120xH120xD70

**1**  
YEARS  
WARRANTY \*



## **GH-F052/055/057**

- Basin mounted sensor faucet (Chromeplated brass metal body)
  - Power- DC, AC, AC/DC | (6V DC | 220V AC/50Hz) | 6V DC/220V AC)
  - Operation- Automatic Infra-Red Sensor
  - Sensing range adjustable (Upto 150mm)
  - Working water pressure (0.02 MPa – 0.8 MPa)
  - Safety shut off 1 Minute
  - 15 mm through control box with inbuilt solenoid valve
- USP : Hidden bottom sensor for robust & sturdy use, Appropriate for medium size basin

Dimension  
Height: 120 mm  
Control Unit  
W120xH120xD70

**1**  
YEARS  
WARRANTY \*



## **GH-F162/165/167**

- Sensing range adjustable (Upto 500mm)
  - Working water pressure (0.02 MPa – 0.8 MPa)
  - Touchfree infrared sensor
  - 15 mm inlet / outlet orifice through solenoid valve
- USP : Aesthetically square designed linear sensor faucet, Premium fit for medium/ big size basin

Dimension  
Height: 155 mm  
Control Unit  
W120xH120xD70

**1**  
YEARS  
WARRANTY \*



## **GH-F186**

- 6 V DC through 4 X AA size alkaline battery
  - Working water pressure (0.02 MPa – 0.8 MPa)
  - Touchfree infrared sensor
  - Manual mixing handle to adjust water temperature
- USP : Ready all in one mixture sensor faucet with linear sensor, no separate control unit required

Dimension  
Height: 190 mm

**1**  
YEARS  
WARRANTY \*



## PREMIUM WALL MOUNTED SENSOR FAUCETS

Wall Mounted Automatic Sensor Faucets (Battery/Electrical/AC-DC)

### GH-F143

- Wall mounted exposed type sensor faucet (Chromeplated brass metal body)
  - Power- DC (6 V DC through 4 X AA size)
  - Operation- Automatic Infra-Red Sensor
  - Sensing range adjustable (Upto 150mm)
  - Working water pressure (0.02 MPa – 0.8 MPa)
  - Safety shut off 1 Minute
  - No separate control unit required
- USP : Rotatory Spout for Convenient Sink Wash

1 YEARS WARRANTY\*

Dimension  
Height: 260 mm



### GH-F192C/195C ZERO PRESSURE VALVE FOR STORAGE WATER COOLERS

- Wall mounted sensor faucet (Chromeplated brass metal body)
  - Power- DC and AC (6V DC | 220V AC/50Hz)
  - Sensing range adjustable (Upto 170mm)
  - Touchfree front infrared sensor
- USP : An easy to install hand wash sensor that is sleek and can be installed in any washbasin with wall mounted water pipe above it.

1 YEARS WARRANTY\*

Dimension  
Height: 175 mm



## PREMIUM LONG BODY SENSOR FAUCETS

Automatic Sensor Faucets For Basin/Table Top (Battery/Electrical/AC-DC)

### GH-F302/305/307 MOUTH SENSOR

- Basin/ Table top mounted long body sensor faucet (Chromeplated brass metal body)
  - Power- DC, AC, AC/DC | 6V DC | 220V AC/50Hz | 6V DC/220V AC
  - Operation- Automatic Infra-Red Sensor
  - Sensing range adjustable (120mm)
  - Working water pressure (0.02 MPa – 0.8 MPa)
  - Safety shut off 1 Minute
  - 15 mm through control box with inbuilt solenoid valve
- USP : Revolutionary Mouth Sensor Sleek Sensor Placed at Faucet Opening

1 YEARS WARRANTY\*

Dimension  
Height: 314 mm  
Control Unit  
W120xH120xD70



### GH-F252/255/257

- Basin/ Table top mounted long body sensor faucet (Chromeplated brass metal body)
  - Power- DC, AC, AC/DC | 6V DC | 220V AC/50Hz | 6V DC/220V AC
  - Operation- Automatic Infra-Red Sensor
  - Sensing range adjustable (150mm)
  - Working water pressure (0.02 MPa – 0.8 MPa)
  - Safety shut off 1 Minute
  - 15 mm through control box with inbuilt solenoid valve
- USP : Hidden Bottom Sensor for No Tampering Perfect Design for High Traffic

1 YEARS WARRANTY\*

Dimension  
Height: 314 mm  
Control Unit  
W120xH120xD70



# ECONOMICAL SOAP/SANITIZER DISPENSERS

## Automatic Wall Mounted Soap/Sanitizer Dispensers

### GH-ASS-222 DROP TYPE

- Automatic disinfecting soap/hand sanitizer (6 V DC through 4 X AA size alkaline batteries)
- High storage capacity of 1200ml
- Dimension 145x240x110mm
- Material : SS 304 Grade
- Sensing range adjustable (0~14cm)
- Factory Setting : 10cm
- Dispense Volume : 0-5ml (Adjustable)
- Factory Setting : 3ml

USP : A translucent removable reservoir, designed for easy-to-view content level is married with an LED to indicate function and operational condition.

6 MONTHS WARRANTY\*

Dimension  
L145xW240xH110 mm



### SANITIXIA DROP TYPE/SPRAY

- High storage capacity of 1000ml
- Material : Polycarbonate ABS
- Dimension: L 120 x W 200 x H 100 MM
- Control Unit : W 120 x H 120 x D 70 MM
- Sensing range (8-12cm)
- Dispense Volume : 0-5ml
- LED light of water level indicate

USP : Reduced Wastage making it hassle free and economical

6 MONTHS WARRANTY\*

Dimension  
L120xW200xH100 mm  
Control Unit  
W120xH120xD70 mm



### SANITIXIA DISPENSER DROP TYPE/SPRAY

- High storage capacity of 5000ml
- Material : Polycarbonate ABS
- Dimension: L 295 x W 124 x H 342 MM
- Sensing range (8-12cm)
- Dispense Volume : 0-5ml
- LED light of water level indicate

USP : Reduced Wastage making it hassle free and economical

6 MONTHS WARRANTY\*

Dimension  
L295xW124xH342 mm  
Control Unit  
W120xH120xD70 mm



### SANITIXIA DISPENSER DROP TYPE/SPRAY

- High storage capacity of 10 Ltr.
- Material : Polycarbonate ABS
- Dimension: L 312 x W 260 x H 432 x D 248 MM
- Sensing range (8-12cm)
- Product Weight: 2.512 Kg
- Dispense Volume : 0-5ml
- LED light of water level indicate

Every dispensing cycle is of 2ML, the machine can work upto 2500 hand sanitization cycles before require refilling the 10000 ML Tank

USP : Unique Key Design With Visible Window Warranty : 6Months\*

6 MONTHS WARRANTY\*

Dimension  
L312xW260xH432 mm  
Control Unit  
W120xH120xD70 mm



# MANUAL RANGE OF DISPENSERS

## Wall Mounted Soap/Gel/Sanitizer Spray Dispenser

### GH-MG-500

500 ml Jar  
Foam/Liquid/Gel/Sanitizer  
Dimension: 86x84x233 mm



### GH-MG-1000

1000 ml Jar  
Foam/Liquid/Gel/Sanitizer  
Dimension: 121x118x260 mm



### GH-LS-500

500 ml Jar  
Liquid/Gel/Sanitize  
Case Pack 50  
Dimension:  
95x82x184 mm



### GH-LS-1000

1000 ml Jar  
Foam Soap  
Case Pack 24  
Dimension:  
127x112x225 mm



### GH-LS-2 IN 1

250 ml x2 Jar  
Liquid/Gel/Sanitize  
Case Pack 48  
Dimension:  
76x142x175 mm



### GH-FS-500

500 ml Jar  
Foam Soap  
Case Pack 50  
Dimension:  
72x59x157 mm



### GH-FS-1000

1000 ml Jar  
Foam Soap  
Case Pack 24  
Dimension:  
127x112x225 mm



### GH-M-800

800 ml Jar/Pouch  
Liquid/Gel/Sanitizer  
Case Pack 24  
Dimension:  
130x95x235 mm



### GH-W-64

500 ml Jar  
Liquid/Gel/  
Sanitizer  
Case Pack 50  
Dimension:  
100x87x207 mm



### GH-ELBOW-64

500 ml Jar  
Liquid/Gel/Sanitizer  
Case Pack 50  
Dimension:  
104x99x207 mm



### GH-W-65

1000 ml Jar  
Liquid/Gel/Sanitizer  
Case Pack 36  
Dimension:  
104x109x273 mm



### GH-TLS-350

350 ml Jar  
Liquid/Gel/Sanitizer  
Case Pack 60  
Dimension:  
88x64x218 mm



### GH-TLS-500

500 ml Jar  
Liquid/Gel/Sanitizer  
Case Pack 50  
Dimension:  
89x71x193 mm



### GH-TLS-250

250 ml Jar  
Liquid/Gel/Sanitizer  
Case Pack 60  
Dimension:  
72x59x157 mm



# ECONOMICAL HAND DRYERS

Highly Attractive Low Cost Hand Dryers

## **GH-D-971S WHITE**

- Polycarbonate ABS casing Hand Dryer
- Voltage supply 220V AC (50Hz-60Hz)
- Power 2,000 W
- Hand Dry Time <15sec.
- Air speed 15m/s
- Noise level 60-80Db
- Touchfree infrared sensor

USP : Blue Led Lights on the front panel that adds to the aesthetic appeal Low noise and low energy consumption

**1**  
YEAR WARRANTY\*

Dimension  
W248xH230xD250 mm



## **GH-D-923**

- Polycarbonate ABS casing Hand Dryer
- Voltage supply 220V AC (50Hz-60Hz)
- Power 1,800 W Hand Dry Time <15sec.
- Air speed 15m/s • Noise level 60-80Db
- Touchfree infrared sensor

USP : Fashionable yet Elegant Aesthetic Design than enhances the beauty of your place Low noise and low energy consumption

**1**  
YEAR WARRANTY\*

Dimension  
W240xH230xD240 mm



## **GH-D-971B BLACK**

- Polycarbonate ABS casing Hand Dryer
- Voltage supply 220V AC (50Hz-60Hz)
- Power 2,000 W
- Hand Dry Time <15sec.
- Air speed 15m/s
- Noise level 60-80Db
- Touchfree infrared sensor

USP : Blue Led Lights on the front panel that adds to the aesthetic appeal Low noise and low energy consumption

**1**  
YEAR WARRANTY\*

Dimension  
W248xH230xD250 mm



## **GH-D-610**

- Stainless steel body Hand Dryer
- Voltage supply 220V AC (50Hz-60Hz)
- Power 1,500 W
- Air Speed 12 m/s

USP : Cost Effective Model in SS 304 Grade, Attractive & Robust Stainless Steel Body

**1**  
YEAR WARRANTY\*

Dimension  
W225xH160xD282 mm



## **GH-D-304**

- M.S. body in S.S. finish Hand Dryer
- Voltage supply 220V AC (50Hz-60Hz)
- Power 1,800 W
- Touchfree infrared sensor

USP : Cost Effective Model in M.S. body in Stainless steel finish

**1**  
YEAR WARRANTY\*

Dimension  
W265xH225xD205 mm



# PREMIUM HIGH SPEED HAND DRYERS

Aesthetically Designed, Jet High Speed Hand Dryers

## GH-D-981 HIGH SPEED DRYER

- Polycarbonate ABS casing Jet Hand Dryer
- Voltage supply 220V AC (50Hz-60Hz)
- Dimension: W 300 x D 190 x H 650 MM
- Power 1200~1800 W
- Hand Dry Time 5~7sec.
- Air speed 95m/s
- HEPA Filter - Triple filter deodorization to filter dust from air
- Body and parts made of antimicrobial resin to prevent bacteria from multiplying

USP : Highly Energy Efficient as compared to Conventional Models

**5**  
YEARS  
WARRANTY\*

Dimension  
300x190x650 mm



## GH-D-991 HIGH SPEED DRYER

- Polycarbonate ABS casing Jet Hand Dryer
- Voltage supply 220V AC (50Hz-60Hz)
- Dimension: W 300 x D 190 x H 650 MM
- Power 1200~1800 W
- Hand Dry Time 5~7sec.
- Air speed 95m/s
- HEPA Filter - Triple filter deodorization to filter dust from air
- Body and parts made of antimicrobial resin to prevent bacteria from multiplying

USP : Highly Energy Efficient as compared to Conventional Models

**5**  
YEARS  
WARRANTY\*

Dimension  
300x190x650 mm



## GH-D-992 HIGH SPEED DRYER

- Stainless steel body 304 grade Jet Hand Dryer
- Voltage supply 220V AC (50Hz-60Hz)
- Dimension: W 300 x D 222 x H 735 MM
- Power 1650 W
- Hand Dry Time 5~7sec.
- Air speed 95m/s
- With UV light, Water Tank & HEPA filter
- Highly Energy Efficient as compared to Conventional Models

USP : Attractive & Robust Stainless Steel Body with Brushed Finish

**5**  
YEARS  
WARRANTY\*

Dimension  
300x222x735 mm



## GH-D-605 HIGH SPEED DRYER

- Stainless steel Hand Dryer
- Voltage supply 220V AC (50Hz-60Hz)
- Dimension: W 265 x D 125 x H 205 MM
- Power 2,300 W
- Touchfree infrared sensor

USP : Strong Air Flow with Rotatory Air Spout Attractive & Robust Stainless Steel Body

**1**  
YEAR  
WARRANTY\*

Dimension  
265x125x205 mm





# PREMIUM ULTRA THIN/DIAMOND CUT HAND DRYER

Latest High Speed Designed In Ultra Thin/Diamond Cut Design

## GH-DS-720 ENERGY EFFICIENT WITH LONG LIFE MOTOR

- Stainless steel Hand Dryer
- Total Power 400-950W
- Voltage supply 220V AC (50Hz-60Hz)
- Dimension: W 275 x D 300 x H 100 MM
- RPM 35000
- Hot and Cold Switch
- Noise Level 75db (at 2 Meter)
- Auto Cut off 60s, thermal cut off above 95°C
- Touchfree infrared sensor

**1**  
YEAR WARRANTY\*

Dimension  
275x300x100 mm



## GH-DS-611 ENERGY EFFICIENT WITH LONG LIFE MOTOR

- Super slim, stylish design-stainless steel 304 Grade
- Total Power 1000W
- Hot and Cold Switch
- Dimension: W 275 x D 183 x H 162 MM
- Air Speed 110 m/s
- Hot and Cold Switch
- Noise Level 75db (at 2 Meter)
- Energy efficient-switches off after 60 seconds
- Touchfree infrared sensor

**1**  
YEAR WARRANTY\*

Dimension  
275x183x162 mm



## GH-DS-802 HIGH SPEED HAND DRYER DIAMOND CUT STAINLESS STEEL 304 GRADE

- Total Power Variable 600W/1800W
- Hot and Cold Switch
- Voltage Supply 110V AC (50Hz-60Hz)
- Air Speed 15 m/s
- Low energy and low noise level 76 db (at 2 meter)
- Energy efficient - Auto cut off 60s, thermal cut off above 95°C
- Dimension: 295x325x175 mm

**1**  
YEAR WARRANTY\*

Dimension  
295x325x175 mm



## GH-D-710 HIGH SPEED HAND DRYER ULTRA THIN BODY STEEL 304 GRADE

- Super slim, stylish design- only 10cm deep
- Total Power Variable 400W-950W
- Dimension: 275 x 300 x 100 MM
- Hot And Cold Switch
- Air Speed 95 m/s
- Noise Level 75 db (at 2 meter)
- Auto cut off 60s, thermal cut off above 70 C

**1**  
YEAR WARRANTY\*

Dimension  
275x300x100 mm



## AUTOMATIC AIR FRESHNERS (FRAGRANCE DISPENSER)

Automatically Fragrance Into Room To Purify Air & Remove Smelly Odor

### AEROSOL LCD/LED DISPLAY AUTOMATIC SPRAY AIR FRESHENER

Operating by infrared ray coding technology. Easy to operate by remote control. Advanced sleek design to meet all kinds of commercial or public use.

**Includes:** Only Dispenser (Battery & Refill not included)

**Specifications:**

Capacity : 250 & 300 ml Aerosol Can

Time : User can set as per choice in LCD.

Time : Set (5-30 mins) in LED.

**Features:**

Power Switch Display-by LCD Model.

Time: Set Spraying (5-30 minutes).

Environment "P" Material is recyclable.

Two "D" Batteries last over 5 Months/

Locking System.

It can fit 250 & 300ml Aerosol can.



**LCD 100**

Dimension  
L75 x B60 x H174 mm



**LED 100**

Dimension  
L75 x B60 x H174 mm



**LED 250**

Dimension  
L75 x B60 x H174 mm

## MANUAL TISSUE/TOWEL PAPER DISPENSER

Wall Mounted Tissue/Towel Dispenser

### GH-621

POLYCARBONATE ABS MANUAL  
TISSUE PAPER DISPENSER



Dimension  
W270 x H230 x D90 mm

**1**  
YEAR  
WARRANTY\*

### GH-621W

POLYCARBONATE ABS MANUAL  
TISSUE PAPER DISPENSER



Dimension  
W270 x H230 x D90 mm

**1**  
YEAR  
WARRANTY\*

### GH-628

STAINLESS STEEL 304 MANUAL  
TISSUE PAPER DISPENSER



Dimension  
W280 x H325 x D95 mm

**1**  
YEAR  
WARRANTY\*

### GH-629W

STAINLESS STEEL 304 MANUAL  
TISSUE PAPER DISPENSER



Dimension  
W270 x H230 x D90 mm

**1**  
YEAR  
WARRANTY\*

### GH-604 SS 304

JUMBO ROLL FOR MANUAL  
TISSUE PAPER DISPENSER



Dimension  
W260 x H260 x D125 mm

**1**  
YEAR  
WARRANTY\*

### GH-605 ABS

JUMBO ROLL FOR MANUAL  
TISSUE PAPER DISPENSER



**1**  
YEAR  
WARRANTY\*

# MANUAL TISSUE/TOWEL PAPER DISPENSER

Wall Mounted Tissue/Towel Dispenser

## GH-MC-300 AB

M/Z/N & V Fold Towel  
Case Pack 20



Dim.: 260x107x205 mm

## GH-MC-300 PP

M/Z/N & V Fold Towel  
Case Pack 20



Dim.: 260x107x205 mm

## GH-MJ-450 AB

M/Z/N & V Fold Towel  
Case Pack 12



Dim.: 260x107x350 mm

## GH-HBT-500

Folded Toilet Tissue  
Case Pack 36



Dim.: 150x136x172 mm

## GH-JRT-MINI

Toilet Roll  
Case Pack 36



Dim.: 110x145x157 mm

## GH-JRT-25 AB

Jumbo Toilet Roll  
Case Pack 12



Dim.: 285x136x300 mm

## GH-JRT-25 PP

Jumbo Toilet Roll  
Case Pack 12



Dim.: 285x136x300 mm

## GH-ACT-418

Auto Cut HRT  
Case Pack 6



Dim.: 222x296x355 mm

## GH-ACT-519

Automatic HRT  
Case Pack 6



Dim.: 222x296x355 mm

# MANUAL TABLE TOP TISSUES

## Table Top Tissue/Towel Dispenser

### GH-LF-W/B-100

Low Fold Napkin  
Case Pack 36



Dim.: 143x116x143 mm

### GH-WT-125

Wooden Top Pop-up Napkin  
Case Pack 48



Dim.: 110x110x86 mm

### GH-LAB-125

Pop-up Napkin (Lock)  
Case Pack 96



Dim.: 114x114x67 mm

### GH-ABS-125

Pop-up Napkin  
Case Pack 96



Dim.: 119x119x67 mm

### GH-PP-200

Pop-up Napkin  
Case Pack 96



Dim.: 112x112x85 mm

### GH-FT-50

Facial Tissue 50 Pulls  
Case Pack 48



Dim.: 218x130x48 mm

### GH-FT-100

Facial Tissue 100 Pulls  
Case Pack 39



Dim.: 258x131x65 mm

### GH-FT-200

Facial Tissue 200 Pulls  
Case Pack 24



Dim.: 258x131x91 mm

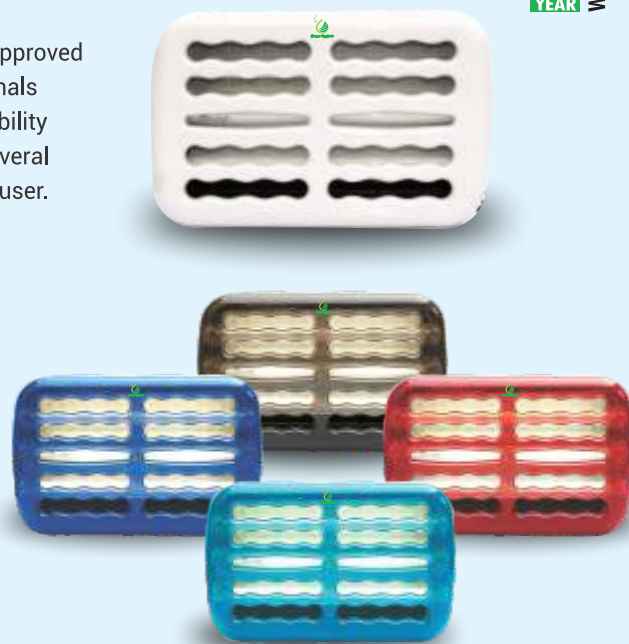
## INSECT CATCHER COMMANDO

Wall Mounted Best Quality Insect Killer Machine

### GH-MILKY-COMMANDO ABS FLY CATCHER WITH GLUE PAD

We have been able to introduce an exclusive range of Fly catcher UV Tubes. The offered fly catcher is manufactured using industry approved components and techniques. During the fabrication, our professionals ensure to use quality and approved components to offer high durability and reliability to the clients. Further, this fly catcher is tested on several quality parameters to assure shock proof performance to the end-user.

Model	ABS COMMANDO FLY CATCHER
Size	21x5x13 Inch
Material	Plastic
Body Material	ABS Plastic
Pest Control Type	Insects
Colour Solid	Red, Black, Cyan, Milky White
Automation Grade	Automatic
Fitting Type	Wall
Number of Tubes	2/3
Power	40W
Frequency	50 Hz



## AIR CURTAINS

Wall Mounted Best Quality Air Curtains Machine

### GH-STORM COMMERCIAL AIR CURTAIN 53 DB, 18M/S (LOW), 23 M/S (HIGH)

1 YEAR WARRANTY

**Air Velocity :** 18m/s(Low), 23 m/s(High)

**Size :** 1000 x 210 x 235 mm

**Noise Level :** 53 dB

**Usage/Application :** Commercial

**Motor Power :** 120 Watt and 80 Watt (2 Motor)

**Voltage :** 220 V

**Frequency :** 50 Hz

**Motor Speed :** 2800 RPM

**Material :** Aluminium

**Available :** 2 Feet to 7 Feet Widht



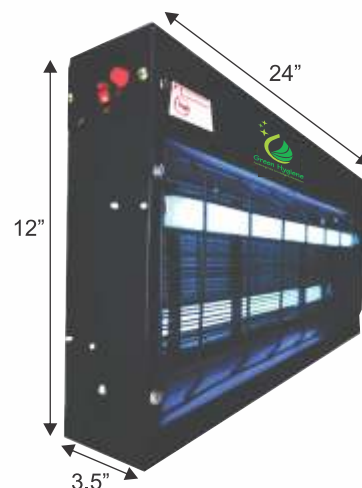
# INSECT CATCHER COMMANDO

Wall Mounted Best Quality Insect Killer Machine

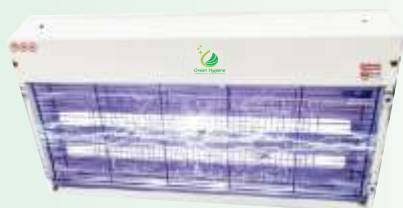
## GH-IK-01 TERMINATOR MS INSECT KILLER

- Highly effective insect killer as it largest flying insect to the lamp and kill them with high voltage grid.
- Insect killer machine or light assist attract mosquitoes and flies towards system which works on decoy principal.
- Its widely used in restaurants, home, hotel, hospital, garden, kitchen, shop etc.
- It can be used both indoor and outdoor.
- It saves energy.

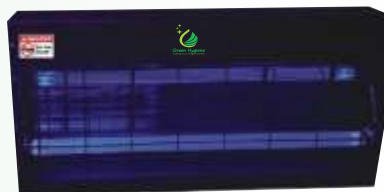
**1**  
YEAR  
WARRANTY\*



Model	GH-101 MS	GH-102 MS
Size	1 Feet	2 Feet
Body Material	MS Powder Coated	MS Powder Coated
Voltage	220 V	220 V
Frequency	50 Hz	50 Hz
No. of Tube	02 Nos. (8x2)	02 Nos. (1.8x2)



White 2 Feet



Black 2 Feet

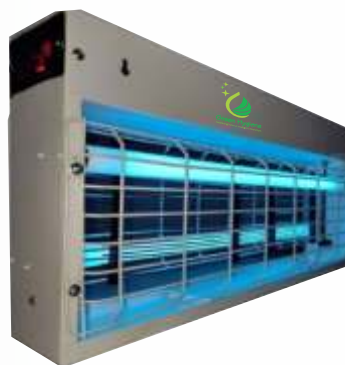


White 1 Feet

## GH-IK-02 TERMINATOR SS/ZINK INSECT KILLER

- Highly effective insect killer as it largest flying insect to the lamp and kill them with high voltage grid.
- Insect killer machine or light assist attract mosquitoes and flies towards system which works on decoy principal.
- Its widely used in restaurants, home, hotel, hospital, garden, kitchen, shop etc.
- It can be used both indoor and outdoor.
- It saves energy.

**1**  
YEAR  
WARRANTY\*



Model	GH-101 MS	GH-102 MS
Size	1 Feet	2 Feet
Body Material	MS Powder Coated	MS Powder Coated
Voltage	220 V	220 V
Frequency	50 Hz	50 Hz
No. of Tube	02 Nos. (8x2)	02 Nos. (1.8x2)



# OUR CLIENTS



**adani**

Mudhra  
Gujarat

**VEDA**

Engineering  
Bangalore

**visiontek™**

Linwell Telemetry  
Hyderabad



**PROVAL**

Prompt Audio  
Video Pvt Ltd  
Mumbai

**mogliX**

MogliX India  
Pvt Ltd

**dura-line**

Duraline India Ltd.  
Mumbai,  
Haryana



Ikayu Food Lab  
Gurugram



Bechtel India  
Pvt. Ltd.  
Gurugram,  
Gujarat



ITC Limited  
ITC Group

**OTANGATA**

Otantaga 7 Pvt. Ltd.  
FMCG Company

**PHOENIX CONTACT**

Phoenix Contact  
India Pvt Ltd



Moon Beverages  
Limited

# Looking for one stop solution for your Bathroom & Kitchen needs?



Sensor Faucets/ Sanitizer Dispenser/ Urinal Sensors/WC Sensors  
Hand Dryers/ Towel Paper Dispenser

Find Happiness with *Green Hygiene...*



**Green Hygiene**

Awakening India to Intelligent Washroom

No. 23, Dabri Village, Near Shiv Mandir,  
New Delhi-110045

E : [contact@greenhygiene.in](mailto:contact@greenhygiene.in), [pratima.greenhygiene@gmail.com](mailto:pratima.greenhygiene@gmail.com)  
[katke.greenhygiene@gmail.com](mailto:katke.greenhygiene@gmail.com)

W : [www.greenhygiene.in](http://www.greenhygiene.in)

Call @ 9013619888, 8383882757

